



# J5

1U Active Air Cooler

**PRODUCT SPECIFICATIONS**

Specification Version: 03/11/2022

*(Specifications are subject to change without notice)*

## Model Number: J5

- Recommend for AMD® CPU as following
  - AMD® Genoa® Processor Family, Socket SP5
- Active Air Cooler for 1U Server and Up

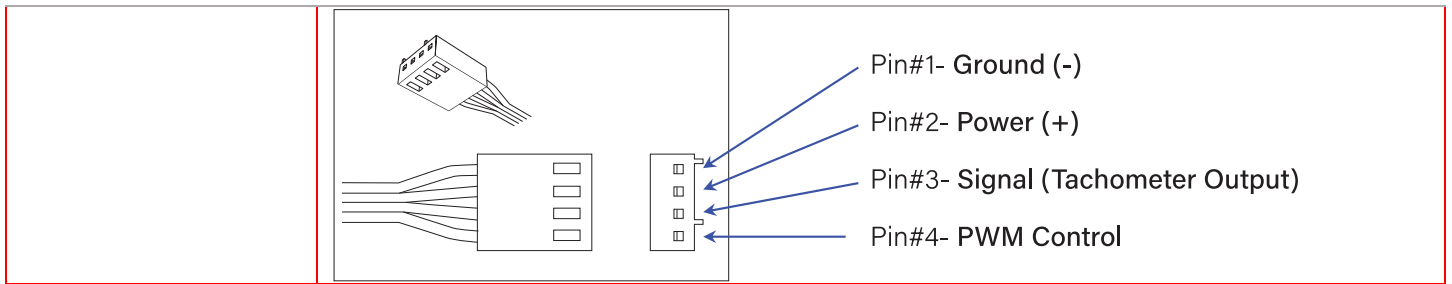
## Overall Specification

Dimension	118.0 x 92.4 x 27.0 mm
Weight	576g
Material	Copper Fin + Vapor Chamber
Thermal Grease	Shin-Etsu 7762 or Equivalent
TDP	Up to 260 Watts at 47°C ambient temperature

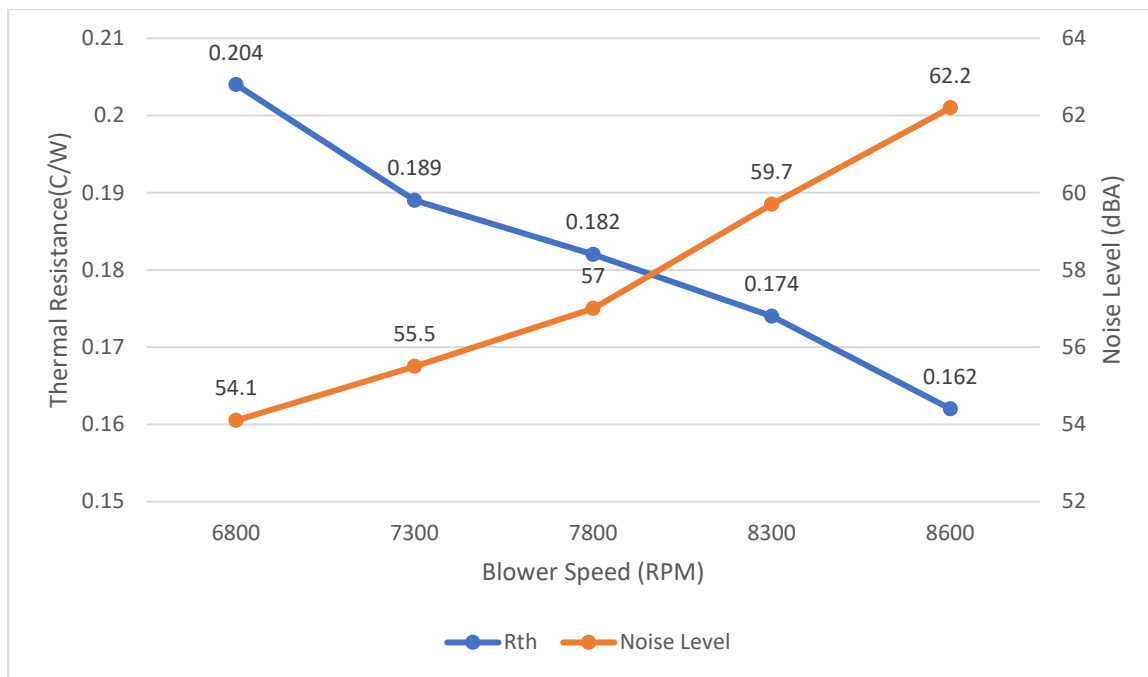
## Cooling Fan Specification

Model Number	DB128013BU-PWM(Dual-Outlet)
Dimension	φ80 x 13 mm
Bearing	Double Ball
Rated Voltage	12V
Rated Speed	At Duty Cycle 0~20%: 2000± 200 RPM At Duty Cycle 50%: 4900± 10% RPM At Duty Cycle 100%: 8600±10% RPM
Input Power	At Duty Cycle 0~20%: 1.08 W At Duty Cycle 50%: 4.7 W At Duty Cycle 100%: 23.45 W
Maximum Airflow	At Duty Cycle 0~20%: 5.59 CFM At Duty Cycle 50%: 14.76 CFM At Duty Cycle 100%: 26.25 CFM
Rated Static Pressure	At Duty Cycle 0~20%: 3.69 mm-H2O At Duty Cycle 50%: 25.28 mm-H2O At Duty Cycle 100%: 89.90 mm-H2O
Acoustical Noise	At Duty Cycle 0~20%: 23.3 dBA At Duty Cycle 50%: 43.5 dBA At Duty Cycle 100%: 62.2 dBA
Lead Wire Pin Out	Pin#1- Black(-) Pin#2- Yellow(+) Pin#3- Green(Tachometer/ Signal Output) Pin#4- Blue (PWM)

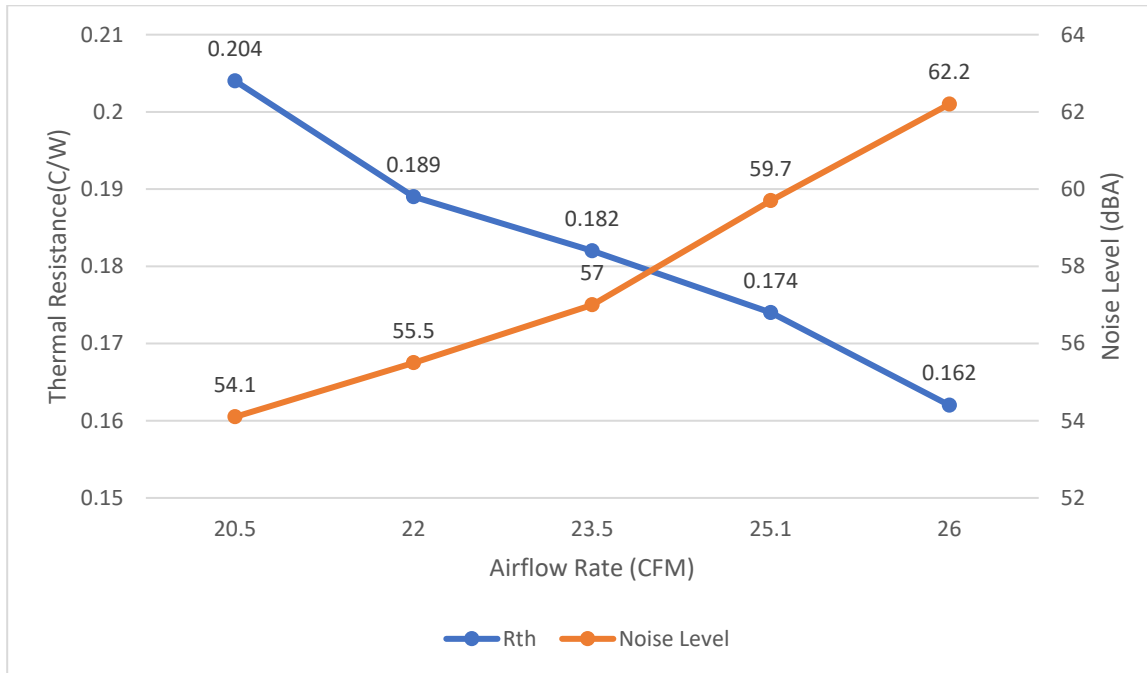
## J5 | Socket SP5



## Performance Chart: Active Cooler J5 Thermal Resistance Thermal Resistance vs. Blower Speed



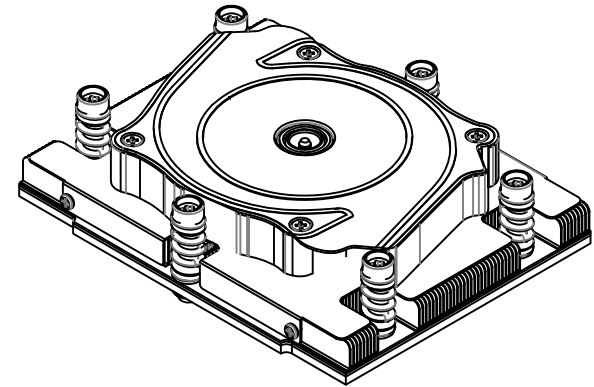
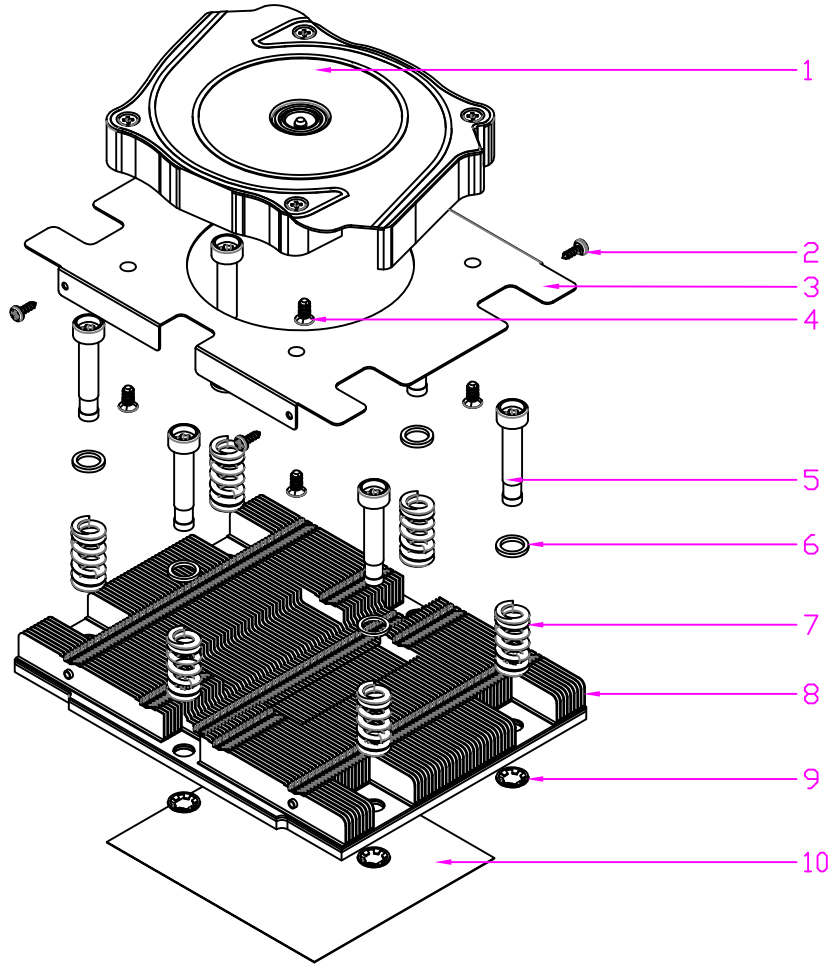
## Thermal Resistance vs. Airflow Rate




CONFIDENTIAL DOCUMENT

THIS DRAWING CONTAINS INFORMATION PROPRIETARY TO DYNATRON CORPORATION AND DYMAED INDUSTRIAL CO., LTD. ANY REPRODUCTION, DISCLOSURE, OR USE OF THIS DRAWING IS EXPRESSLY PROHIBITED EXCEPT AS DYNATRON CORPORATION AND DYMAED INDUSTRIAL CO., LTD. MAY OTHERWISE AGREE TO IN WRITING.

REV#	DESCRIPTION	CHECKER	DATE
0.0	INITIAL RELEASE	Engr.	03/02/22



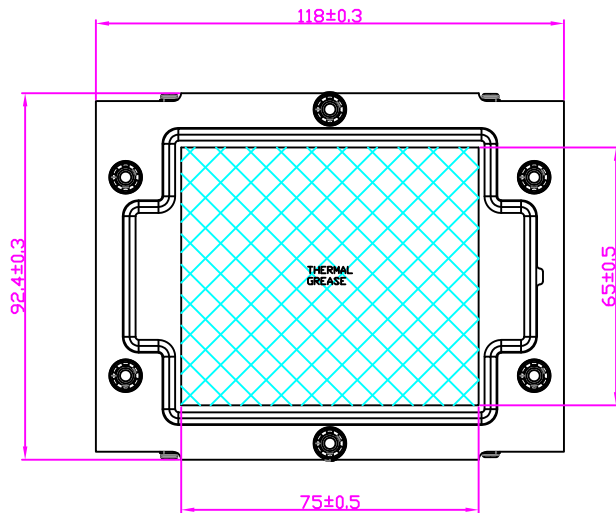
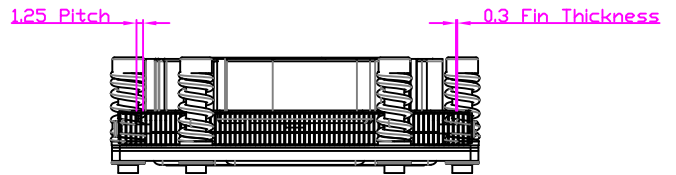
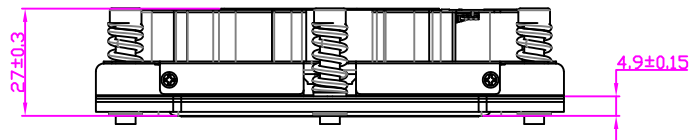
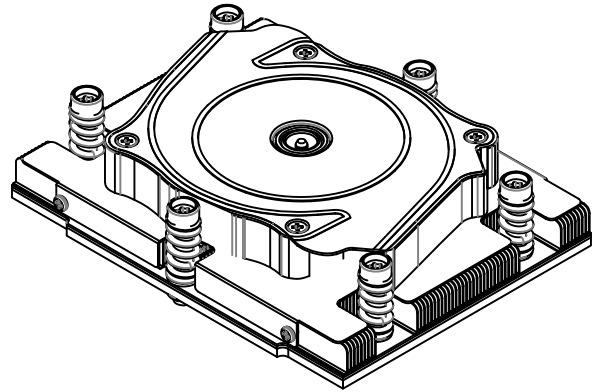
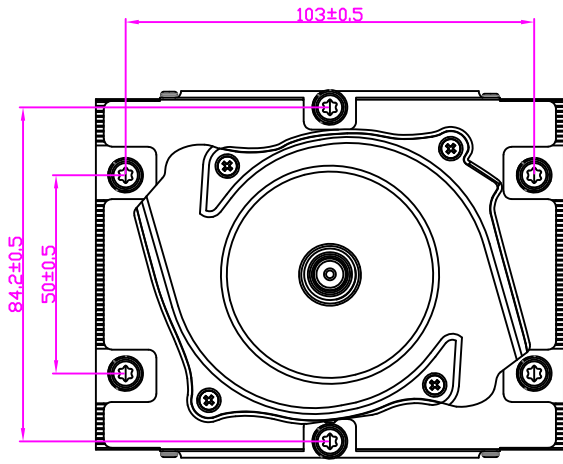
ITEM #	DESCRIPTION	MATERIAL	QTY.
10	THERMAL GREASE	SHIN-ETSU 7762	N/A
9	C-RING	STEEL	6
8	HEATSINK	COPPER FIN, VAPOR CHAMBER, STEEL RETENTION	1
7	SPRING	STEEL	6
6	WASHER	STEEL	6
5	SCREW, HEATSINK	STEEL	6
4	BLOWER SCREW	STEEL	4
3	BLOWER BRACKET	STEEL	1
2	BLOWER BRACKET MOUNTING SCREW	STEEL	4
1	BLOWER	DYNATRON 8013 BLOWER, 8600RPM	1

DATE		NAME		 DYNATRON CORPORATION
03/02/22		Engr.		
DRAWN		CHECKED		TITLE: 1U Air Cooler J5 BOM & Exploded Assembly Drawing
03/02/22		Engr.		
ENG. APPR.				
MFG. APPR.				
QA				DWG. No: DYN-EP-J5
COMMENTS				
				REV
				0.0

NOTES:

1. THE FIGURE IS FOR REFERENCE ONLY, AND NOT FOR SCALE

REV#	DESCRIPTION	CHECKER	DATE
0.0	INITIAL RELEASE	Engr.	03/02/22



	NAME	DATE
DRAWN BY	ENGR	03/02/2022
CHECKED BY	ENGR	03/02/2022
ENG. APPROVED		
MFG. APPROVED	-	-



**DYNATRON CORPORATION**

TITLE: 1U Air Cooler J5  
Overall Dimension Drawing

**CONFIDENTIAL DOCUMENT**  
THIS DRAWING CONTAINS INFORMATION PROPRIETARY TO DYNATRON CORPORATION AND DYNAEDN INDUSTRIAL CO., LTD. ANY REPRODUCTION, DISCLOSURE, OR USE OF THIS DRAWING IS EXPRESSLY PROHIBITED EXCEPT AS DYNATRON CORPORATION AND DYNAEDN INDUSTRIAL CO., LTD. MAY OTHERWISE AGREE TO IN WRITING.

VIEW	
UNITS	MM

DWG. No:	DYN-BD-J5
----------	-----------

REV.	0.0
------	-----

## Publication History:

03/11/2022: Add full information

03/02/2022: Initial Release

*(Specifications are subject to change without notice)*